

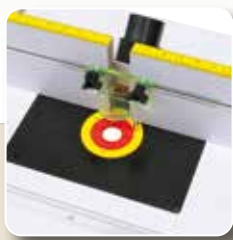
BERNARDO®

www.bernardo.at



06 | 2025

MISCELLANEOUS



- RT 2
- RT 3 T
- RT 3 F
- KSU 740
- KSU 1100
- KSU 1560
- UFW 300
- UFW 600
- FRS-1
- CFRS-8
- KFRS-8
- LRS
- CRS
- KRS
- RS
- VRS
- RB 2 - 1650
- RB 3 - 1800

Router table

RT 2

- Standard with T-slot (19 mm) in the work table for attaching angle stops or various clamping devices
- Assembly of the router on the underside of the table top, mounting holes must be drilled by yourself
- Integrated suction connection for connecting a dust collector for a dust-free workplace
- Worktable made of plastic-coated 36 mm thick MDF table top
- Grooved insert plate (Bakelite) incl. 2 insert rings results in 3 hole sizes
- Including torsion-resistant moulding fence with measuring scales and T-slots (8 mm)
- Suitable for all common routers



Incl. 2 insert rings (diam. 67/32 mm) and free milling stop for milling various shapes.



Plastic-coated MDF moulding fence with T-slots and cutter protection.



2 pcs. adapter (70 or 63 mm) included at standard accessories.



BERNARDO
www.bernardo.at
HOBBY

**Best
Price**



Standard accessories:

- Moulder fence
- MDF stop
- Aluminium stop
- Insert plate 306 x 229 x 9 mm
- Measuring scales
- Guide pin
- Table insert rings
- Stand

Technical data

RT 2

| | |
|-------------------------------|----------------------------|
| Table size | 800 x 605 mm |
| Table thickness | 36 mm |
| Table height | 860 mm |
| MDF stop | (2 pcs.) 458 x 152 x 25 mm |
| Aluminium stop | 840 x 100 x 100 x 6 mm |
| Table opening | 98 mm |
| Insert rings | 67/ 32 mm |
| Dust extraction outlet | 70 / 63 mm |
| Machine dimension (W x D x H) | 950 x 605 x 1010 mm |
| Weight approx. | 26 kg |
| Art. no. | 14-2215 |

Router table

RT 3 T

- Suitable for all common routers
- Tilttable work table for easier mounting of the router
- Torsion-free, grey cast-iron machine table for maximum accuracy
- Solid moulding fence features anodized stop bars
- Incl. longitudinal groove in the work table for attaching the mitre fence, spring clamps, etc.
- With suction connection diam. 100 mm for the use of a dust collector
- Attractive price-benefit ratio

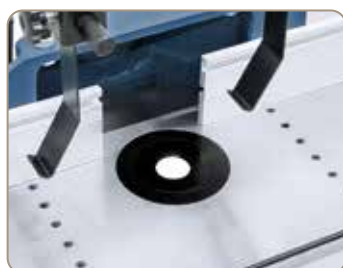
BERNARDO®
www.bernardo.at

SEMIPROFESSIONAL

Best price



Moulding fence with dust extraction outlet 100 mm, 2 adjustable aluminium stops and pressing device



Standard with insert rings to reduce the table opening.



Mitre fence moveable along entire table length.



For easier mounting of the router, the table can be tilted up.



Technical data

RT 3 T

| | |
|-------------------------------|---------------------|
| Table size | 780 x 505 mm |
| Table tilttable | 0° - 45° |
| Table height | 860 mm |
| Aluminium stop | 2x 300 x 75 mm |
| Table opening | 92 mm |
| Insert rings | 60 / 30 mm |
| Dust extraction outlet | 100 mm |
| Machine dimension (W x D x H) | 880 x 675 x 1125 mm |
| Weight approx. | 57 kg |
| Art. no. | 14-2216 |

Standard accessories:

- Moulder fence
- Mitre fence
- Pressing device
- Table insert rings
- Stand

BERNARDO®
www.bernardo.at

Router table

RT 3 F

- Suitable for all common routers
- Tilttable work table for easier mounting of the router
- Vibration-free working due to stable cast steel construction
- Smooth sliding table for easy processing of large workpieces
- Robust moulding fence with finely adjustable aluminium stop bars
- With suction connection diam. 60 mm for the use of a dust collector
- Ideal for craftsmen and home users

BERNARDO
www.bernardo.at
SEMIPROFESSIONAL



For easier mounting of the router, the table can be tilted up.



Spindle moulding fence comes complete with fine adjustment. Integrated dust outlet ensures proper dust removal.



Moveable fence with downholder



Inclusive sliding table

Best Price



Standard accessories:

- Sliding table
- Moulder fence
- Pressing device
- Table insert rings
- Fence with downholder
- Stand

Technical data

RT 3 F

| | |
|-------------------------------|----------------------|
| Table size | 785 x 505 mm |
| Sliding table | 785 x 310 mm |
| Table tilttable | 0° - 45° |
| Table height | 860 mm |
| Aluminium stop | 2x 300 x 75 mm |
| Table opening | 92 mm |
| Insert rings | 60 / 29 mm |
| Dust extraction outlet | 60 mm |
| Machine dimension (W x D x H) | 1020 x 780 x 1100 mm |
| Weight approx. | 55 kg |
| Art. no. | 14-2217 |

Universal stand

KSU 740

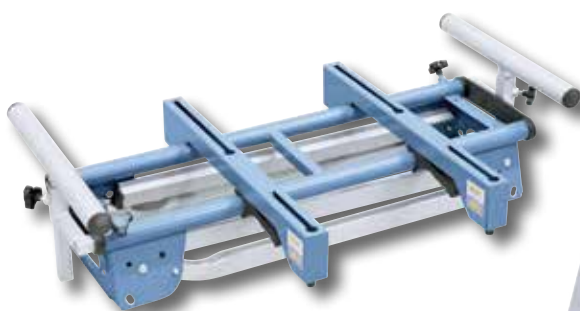
- Optimal for mitre saws, but also for small bandsaws, sanding machines.....
- Foldable for easy transport or space saving storage
- Workpiece support extractable up to 2000 mm, optimal for applying of long workpieces
- Ideal stand for the assembly and construction site use
- Ergonomic work through height adjustable workpiece supports (710 - 850 mm)
- Mounting rails with quick clamping comes standard
- Solid construction with low weight



Example of use with belt and disc sander



**Best
Price**



Space saving, quick and easy foldable



Picture show standard accessories

Technical data **KSU 740**

| | |
|-------------------------------|--------------------|
| Working length | 820 - 2000 mm |
| Working height | 710 - 850 mm |
| Load capacity max. | 120 kg |
| Machine dimension (W x D x H) | 910 x 540 x 710 mm |
| Dimension folded | 900 x 500 x 210 mm |
| Weight approx. | 10 kg |
| Art. no. | 07-1536 |

Standard accessories:

- Height adjustable workpiece supports
- Mounting rail set (2 pcs.)

Universal stand

KSU 1100

- Roller support with tiltable end stops stepless extractable
- Optimal for mitre saws, but also for small bandsaws, sanding machines.....
- Foldable for easy transport or space saving storage
- Ergonomic work through height adjustable workpiece supports (900 - 1145 mm)
- Optimal for applying of long workpieces, solid construction (max. load capacity 150 kg)
- Ideal stand for the assembly and construction site use
- Mounting rails with quick clamping comes standard
- Including rollers for easy transport



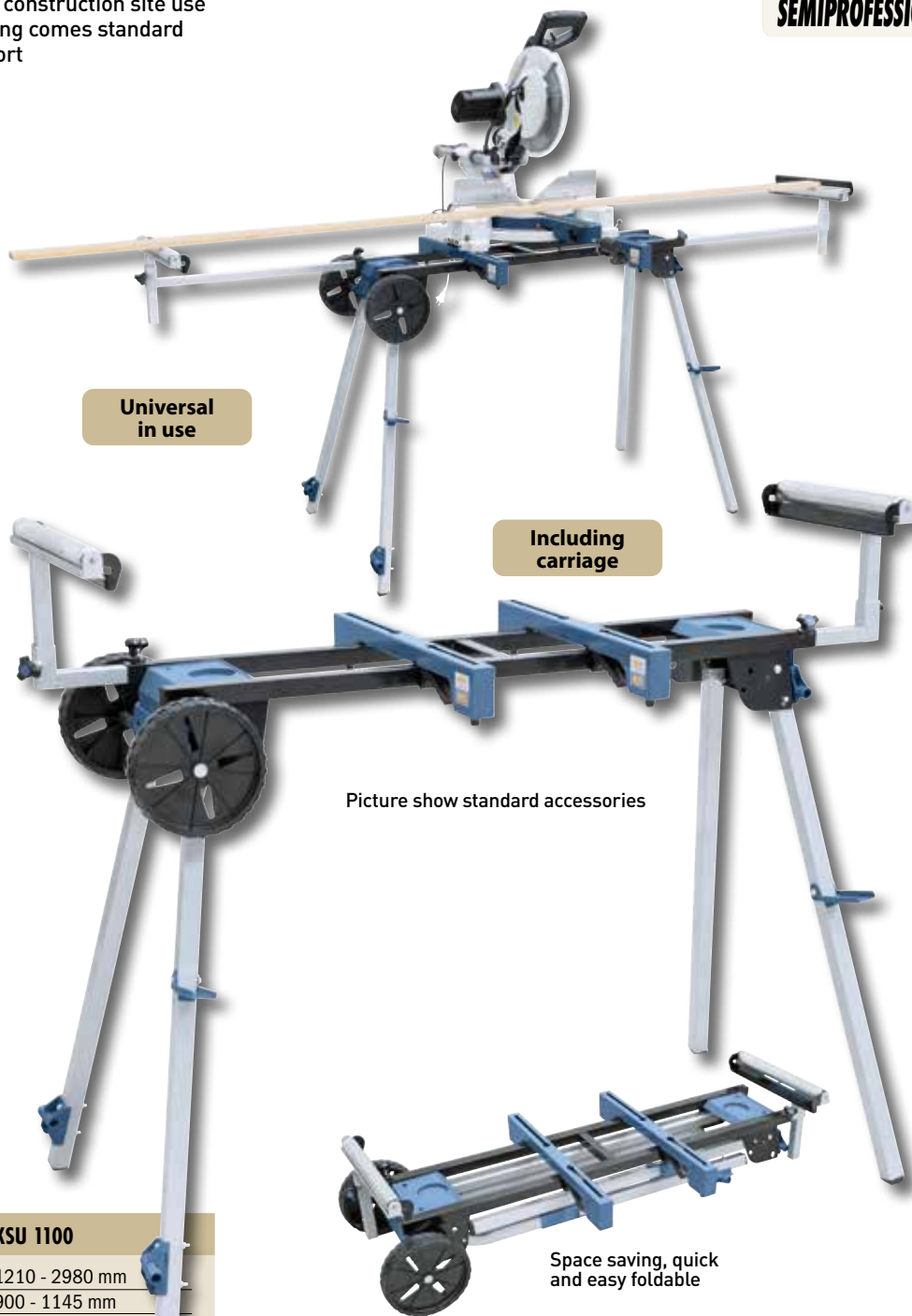
The moveable mounting rails can be adjusted quickly and easily to the machine width



Roller supports stepless extractable and height adjustable on both sides



Easy relocation through big dimensioned rollers.



Universal in use

Including carriage

Picture show standard accessories

Space saving, quick and easy foldable

| Technical data | KSU 1100 |
|-------------------------------|---------------------|
| Working length | 1210 - 2980 mm |
| Working height | 900 - 1145 mm |
| Load capacity max. | 150 kg |
| Machine dimension (W x D x H) | 1320 x 670 x 900 mm |
| Dimension folded | 1300 x 530 x 300 mm |
| Weight approx. | 17 kg |
| Art. no. | 07-1537 |

Standard accessories:

- Height adjustable workpiece supports
- Mounting rail set (2 pcs.)
- Carriage

- Roller supports stepless extractable and height adjustable on both sides
- Robust aluminium-steel construction with low weight
- Universal useable for table saws, mitre saws, sanding machines, etc.
- Compact transport dimension due to foldable construction
- Wide range of accessories comes standard
- Ideal stand for the assembly and construction site use
- Easy relocation through big dimensioned roller.



Serially with integrated plug sockets 230 V (3 pcs.)



The moveable mounting rails can be adjusted quickly and easily to the machine width



Vice with quick clamping comes standard.

Including carriage



The roller supports attend as feeding and removal aid at thickening.



Optimal for single and series work, roller supports as standard with tiltable end stops.

Universal in use



Picture show standard accessories

| Technical data | KSU 1560 |
|-------------------------------|---------------------|
| Working length | 1400 - 2900 mm |
| Working height | 815 - 1190 mm |
| Load capacity max. | 250 kg |
| Machine dimension (W x D x H) | 1800 x 700 x 815 mm |
| Dimension folded | 1800 x 700 x 250 mm |
| Weight approx. | 28 kg |
| Art. no. | 07-1538 |

Standard accessories:

- Roller support with tiltable end stop (2 pcs.)
- Work light with mounting rail
- Vice with quick clamping
- Mounting rail set (2 pcs.)
- Plug socket 230 V (3 pcs.)
- Carriage

Universal carriage

UFW 300

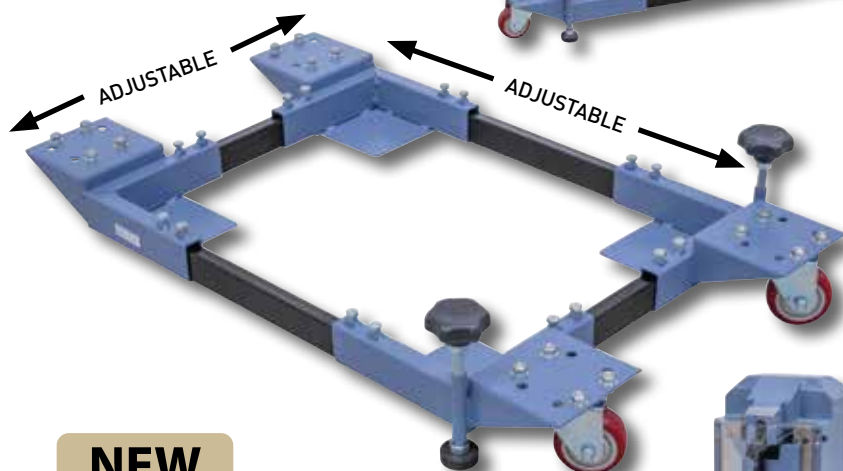
- Optimal for bandsaws, sanding machines, planer machines, drilling machines, etc.
- Swivel castors can be rotated 360 ° for easy maneuverability
- For easy transport and relocation
- Serially with 2 pcs. steering roller and wedging brake
- Quick and easy assembling
- Safe and stable construction



Serially equipped with steering wheel and locking brake.

**Universal
in use**

**Best
Price**



NEW

BERNARDO[®]

SEMIPROFESSIONAL



Technical data

UFW 300

| | |
|-----------------------------|----------------|
| Minimal size square | 490 x 490 mm |
| Maximal size square | 710 x 710 mm |
| Maximal size square * | 1150 x 1150 mm |
| Minimal size rectangular | 490 x 450 mm |
| Maximal size rectangular ** | 1150 x 710 mm |
| Capacity max. | 300 kg |
| Weight approx. | 12 kg |
| Art. no. | 56-10705 |

Standard accessories:

- 2 pcs. steering wheel
- 2x Locking brake

Optional accessories:

Connection bar 2 x 950 mm

Art. no. excl. VAT
56-10707

* with 2 sets of optional connection bar

** with 1 set of optional connection bar

Universal carriage

UFW 600

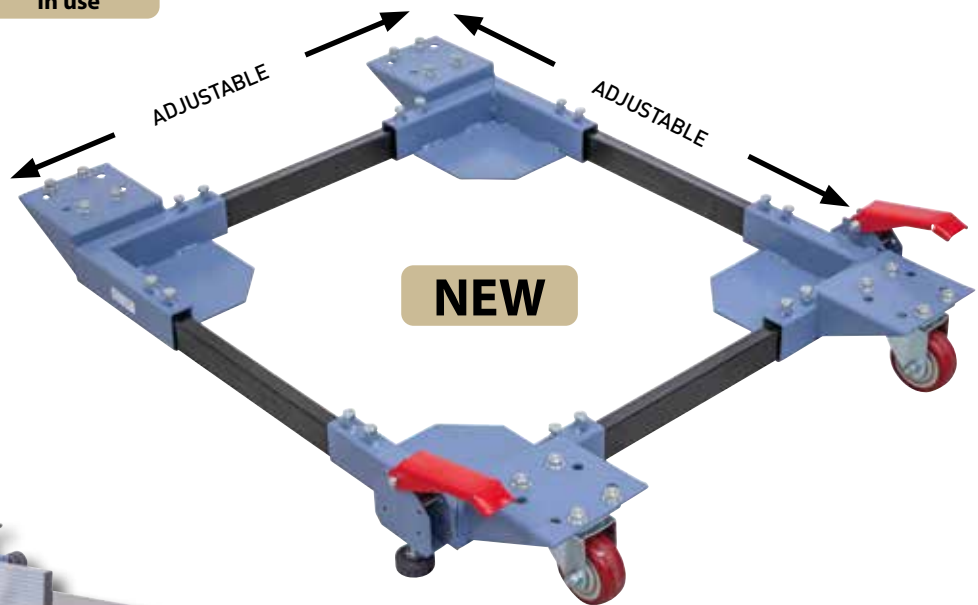
- Optimal for bandsaws, sanding machines, planer machines, drilling machines, etc.
- Swivel castors can be rotated 360 ° for easy maneuverability
- For easy transport and relocation
- Serially with 2 pcs. steering roller and wedging brake
- Quick and easy assembling
- Safe and stable construction

**Best
Price**



Serially equipped with steering wheel and locking brake.

**Universal
in use**



BERNARDO®
www.bernardo.at
SEMIPROFESSIONAL



Technical data

UFW 600

| | |
|-----------------------------|----------------|
| Minimal size square | 585 x 585 mm |
| Maximal size square | 710 x 710 mm |
| Maximal size square * | 1140 x 1140 mm |
| Minimal size rectangular | 585 x 475 mm |
| Maximal size rectangular | 810 x 710 mm |
| Maximal size rectangular ** | 1140 x 710 mm |
| Capacity max. | 600 kg |
| Weight approx. | 15 kg |
| Art. no. | 56-10706 |

Standard accessories:

- 2 pcs. steering wheel
- 2x Locking brake

Optional accessories:

Connection bar 2 x 950 mm

Art. no. excl. VAT
56-10707

* with 2 sets of optional connection bar

** with 1 set of optional connection bar

BERNARDO®
www.bernardo.at

Roller stands

- Ideal support for resting of long and heavy workpieces
- Large variety of models for all types of applications
- Universally applicable, for instance metal circular saws, bandsaws, wood working machines etc.

FRS-Serie RS-Serie



FRS-1



CFRS-8



KFRS-8

| Technical data | FRS-1 | CFRS-8 | KFRS-8 |
|--------------------|---------------|--------------|--------------|
| Roller width | 400 mm | 400 mm | 420 mm |
| Roller diameter | 57 mm | 57 mm | - |
| Height adjustment | 675 - 1000 mm | 670 - 995 mm | 630 - 955 mm |
| Load capacity max. | 80 kg | 80 kg | 70 kg |
| Stand pipe diam. | 30 mm | 30 mm | 30 mm |
| Weight approx. | 5 kg | 6 kg | 6 kg |
| Art. no. | 07-1401 | 07-1402 | 07-1403 |
| Price excl. VAT | | | |

Foldable model

- Foldable design keeps space requirements to a min
- Light-weight construction ensures convenience when frequently transported
- Model CFRS-8 can be used with roller or ball support depending on type of application
- Model KFRS-8 comes complete with angle adjustment for ideal support of round workpieces, profiles etc.



LRS



CRS



KRS

| Technical data | LRS | CRS | KRS |
|--------------------|---------------|---------------|---------------|
| Roller width | 400 mm | 400 mm | 400 mm |
| Roller diameter | 57 mm | 50 mm | - |
| Height adjustment | 665 - 1145 mm | 685 - 1170 mm | 700 - 1110 mm |
| Load capacity max. | 100 kg | 100 kg | 90 kg |
| Stand pipe diam. | 57 / 40 mm | 57 / 40 mm | 57 / 40 mm |
| Weight approx. | 8 kg | 8 kg | 7,5 kg |
| Art. no. | 07-1400 | 07-1420 | 07-1425 |
| Price excl. VAT | | | |

Stable model

- Roller support features stepless height adjustment and clamping option
- Model CRS can be used with roller or ball support depending on type of application
- Modell KRS features 8 chromium plated caster wheels, suitable for movements in any direction

Roller tables

- Solid, resilient galvanized steel rollers ensure for secure support of workpiece
- Roller support features stepless height adjustment and can be clamped
- Straightforward and efficient transport of materials for the infeed and outfeed of workpieces

RB 2

RB 3



RS



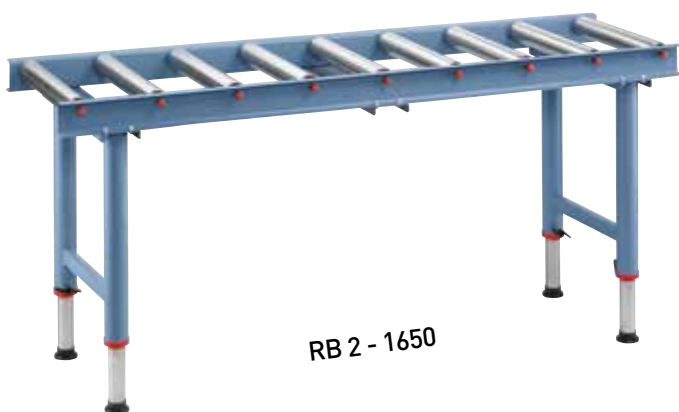
VRS

Technical data

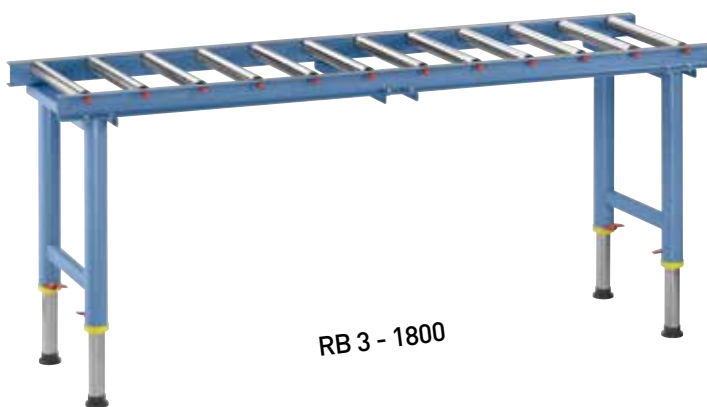
| | RS | VRS |
|--------------------|--------------|--------------|
| Roller width | 350 mm | 2 x 125 mm |
| Roller diameter | 51 mm | 51 mm |
| Height adjustment | 575 - 975 mm | 560 - 975 mm |
| Load capacity max. | 700 kg | 700 kg |
| Stand pipe diam. | 74 / 52 mm | 74 / 52 mm |
| Weight approx. | 20 kg | 20 kg |
| Art. no. | 07-1405 | 07-1415 |
| Price excl. VAT | | |

Heavy construction

- Heavy tripod construction designed for heavy workloads
- Roller rest features height adjustment and can be clamped
- Solid, resilient galvanized steel rollers offer secure support of each workpiece
- VRS- roller stand complete with two rollers at 125 mm in length, ideal for pipes,...



RB 2 - 1650



RB 3 - 1800

Technical data

| | RB 2 - 1650 | RB 3 - 1800 |
|---------------------|---------------|---------------|
| Path length | 1650 mm | 1800 mm |
| Roller width | 395 mm | 410 mm |
| Roller diameter | 57 mm | 38 mm |
| Height adjustment | 665 - 1140 mm | 640 - 1110 mm |
| Load capacity max. | 500 kg | 500 kg |
| Stand pipe diameter | 40 mm | 40 mm |
| Weight approx. | 29 kg | 27 kg |
| Art. no. | 07-1455 | 07-1460 |
| Price excl. VAT | | |

Roller tables – light weight construction

- Frames of rollers consist of solid U-shaped profile
- Ball bedded steel rollers on both sides allow for heavy workloads
- Machine feet can be height adjusted individually to allow for ideal adjustment to machine height and to make up for floor unevenness

| | | | |
|--|--|--|---|
| Hobelmesser HSS | Spiralmesser-Hobelwelle | HM-Wendeplatten für Spiralhobelwelle | Drehmoment-Schraubendreher 6 Nm |
| Planer knives HSS | Spiral cutter block | TCT-blades for spiral cutter | Torque wrench 6 Nm |
|  |  |  |  |
| Diverse Abmessungen von 205 mm bis 630 mm erhältlich Different dimensions from 205 mm to 630 mm available | Verminderung der Lärmbelastung (ca. 50%) und bis zu 20-fache Schneidenstandzeit Reduction of noise level (approx. 50%) and up to 20 times the cutting edge life | 15 x 15 x 2,5 mm / Fixierschrauben: M6 x 15 15 x 15 x 2,5 mm / Fixierschrauben: M5 x 12 15 x 15 x 2,5 mm / Fixing screws: M6 x 15 15 x 15 x 2,5 mm / Fixing screws: M5 x 12 | Zum richtigen fixieren der HM-Wendeschneidplatten für die Spiralmesser-Hobelwelle Torque wrench for correctly fixing of the TCT-blades for the spiral cutter |
| Hobelmessereinstellehre HML | Westcott - Bohrfutter | Kopiereinrichtung | Kopiereinrichtung Deluxe |
| Planer knives adjustment HML | Westcott chuck | Copying device | Copying device Deluxe |
|  |  |  |  |
| 2 Stk. magnetische Einstellehren in Holzkassette 2 pcs. magnetic adjust gauge, packed in wooden case | Spannbereich: 0 - 16 mm Spannbereich: 0 - 20 mm Clamping range: 0 - 16 mm Clamping range: 0 - 20 mm | Zum Kopieren vom Originalteil oder nach Schabole, Kopierlänge 850 mm copying device for copying of original parts ore templates, Copying length 850 mm | Zum Kopieren vom Originalteil oder nach Schabole, Kopierlänge 1200 mm copying device for copying of original parts ore templates, Copying length 1200 mm |
| Absaugung für Drechselmaschinen | Universal-Untergestell ULEG | Verlängerung für ULEG | Spannzangenset M 24 / M 33, 6 tlg. |
| Sweeper for woodturning lathe | Universal-stand ULEG | Extension for ULEG | Collet chuck system M 24 / M 33, 6 pcs. |
|  |  |  |  |
| Absauganschluss: 100 mm Höhenverstellbar Dust extraction outlet: 100 mm Height adjustable | Arbeitslänge: 535 - 910 mm Arbeitshöhe: 635 - 865 mm Working length: 535 - 910 mm Working height: 635 - 865 mm | Arbeitslänge: 500 - 870 mm Arbeitshöhe: 635 - 865 mm Working length: 500 - 870 mm Working height: 635 - 865 mm | Spannzangen: 6 / 10 / 12 / 16 mm / 5,8" Collets: 6 / 10 / 12 / 16 mm / 5,8" |
| Mitnehmerset M 33 x 3,5, 7-tlg. | Mitnehmerset M 33 x 3,5, 9-tlg. | Handauflagen-Set 4 tlg. | 4-Backen-Planscheibe 150 mm |
| Drive center set M 33 x 3,5 - 7 pcs. | Drive center set M 33 x 3,5 - 9 pcs. | Glide bowl turner´s toolrest set 4 pcs. | 4-jaw independent chuck 150 mm |
|  |  |  |  |
| Gewinde M33 x 3,5 mm, je 3 Stk. Vierzack- und Vielzackmitnehmer Thread M33 x 3,5 mm, each 3 pcs. 4 tooth and multi tooth drive center | Gewinde M33 x 3,5 mm, inkl. 2 Rollkörner MK 1 und MK 3 Thread M33 x 3,5 mm, incl. 2 live center MT 1 and MT 2center | Handauflagenset für verschiedenste Bearbeitungsvorgänge Glide bowl turner´s toolrest set for a wide variety of machining operations | Gewinde M33, Backen einzeln verstellbar Thread M33, jaws separately adjustable |

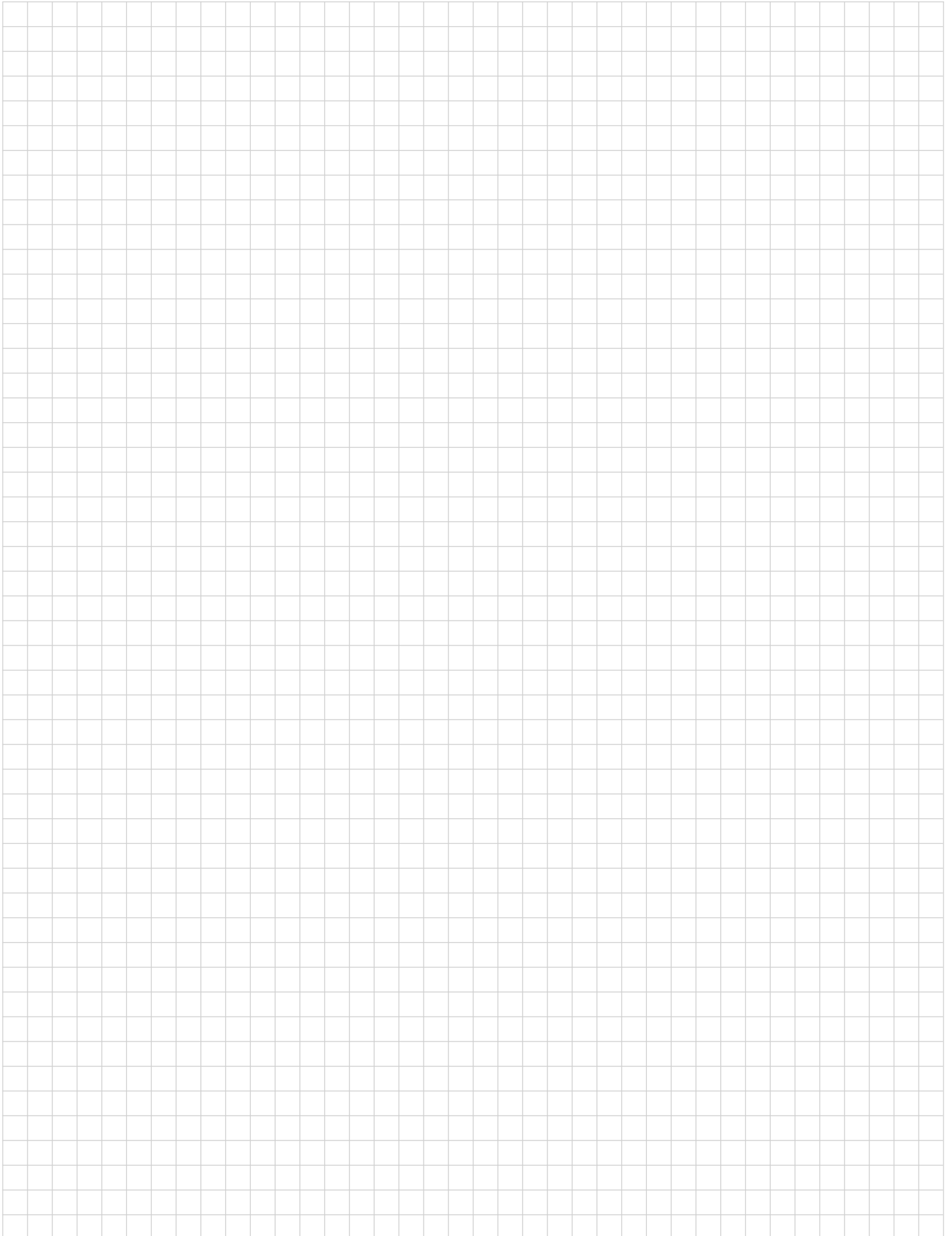
| | | | |
|---|--|---|---|
| 4-Backenspannfutter | 3-Backenspannfutter | Selbstzentrierendes Spannfutter | System-Spannfutterset 6-tlg. |
| 4-jaw chuck | 3-jaw chuck | Self-centering chuck | 6 pcs. power chuck set |
|  |  |  |  |
| <p>Durchmesser 125 mm bzw. 150 mm Gewinde M33, zentrisch spannend Diameter 125 mm or 150 mm Thread M33, centric clamping</p> | <p>Durchmesser 125 mm bzw. 150 mm Gewinde M33, zentrisch spannend Diameter 125 mm or 150 mm Thread M33, centric clamping</p> | <p>Spannbereich: 40 - 70 mm Gewinde M33 Range: 40 - 70 mm Thread M33</p> | <p>Viele Spannmöglichkeiten Various clamping possibilities</p> |
| Spannfutter M 70 | Spannfutter M 95 | Spannfutter M 115 | Spannfutter-Set Premium M 70 |
| Chuck M 70 | Chuck M 95 | Chuck M 115 | Power chuck set Premium M 70 |
|  |  |  |  |
| <p>Durchmesser 70 mm, Gewinde 1"x8TPI mit Schwalbenschwanzbacken Typ A Diameter 70 mm, thread 1"x8TPI with dovetail jaws type A</p> | <p>Durchmesser 95 mm, Gewinde M33 mit Schwalbenschwanzbacken Typ A Diameter 95 mm, thread M33 with dovetail jaws type A</p> | <p>Durchmesser 115 mm, Gewinde M33 mit Schwalbenschwanzbacken Typ A Diameter 115 mm, thread M33 with dovetail jaws type A</p> | <p>Durchmesser 70 mm, Gewinde 1"x8TPI inkl. 5 verschiedene Backen Diameter 70 mm, thread 1"x8TPI incl. 5 different jaws</p> |
| Spannfutter-Set Premium M 95 | Spannfutter-Set Premium M 115 | Profi-Drechselmessersatz A | Profi-Drechselmessersatz B |
| Power chuck set Premium M 95 | Power chuck set Premium M 115 | Profi-chisel set A | Profi-chisel set B |
|  |  |  |  |
| <p>Durchmesser 95 mm, Gewinde M33 inkl. 5 verschiedene Backen Diameter 95 mm, thread M33 incl. 5 different jaws</p> | <p>Durchmesser 115 mm, Gewinde M33 inkl. 5 verschiedene Backen Diameter 115 mm, thread M33 incl. 5 different jaws</p> | <p>HSS, 6-tlg. Heftlänge: 340 / 300 / 255 mm HSS, 6 pcs. Handle length: 340 / 300 / 255 mm</p> | <p>HSS, 8-tlg. Heftlänge: 240 mm HSS, 8 pcs. Handle length: 240 mm</p> |
| Standard-Drechselmessersatz C | Starter-Drechselmessersatz D | Mini-Drechselmessersatz E | Mini-Drechselmessersatz F |
| Standard-chisel set C | Starter-chisel set D | Mini-chisel set E | Mini-chisel set F |
|  |  |  |  |
| <p>Carbon, 6-tlg. Heftlänge: 340 / 300 / 255 mm Carbon, 6 pcs. Handle length: 340 / 300 / 255 mm</p> | <p>HSS, 5-tlg. Heftlänge: 440 / 410 / 300 / 255 mm HSS, 5 pcs. Handle length: 440 / 410 / 300 / 255 mm</p> | <p>HSS, 5-tlg. Heftlänge: 160 mm HSS, 5 pcs. Handle length: 160 mm</p> | <p>HSS, 3-tlg. Heftlänge: 200 mm HSS, 3 pcs. Handle length: 200 mm</p> |

| | | | |
|---|--|--|---|
| Schleifscheiben SBS 700 / 800 / 1000 | Schleifbandreiniger | Filtersack | Absaug sack |
| Sanding discs SBS 700 / 800 / 1000 | Belt cleaner | Filter bag | Waste bag |
|  |  |  |  |
| Diamantschleifscheibe SBS 700 / 1000 Schleifscheibe für SBS 400 Diamond grinding wheel 125 x 10 x 13 mm Corundum grinding wheel 125 x 10 x 13 mm | Erhöht die Standzeit von Schleifbändern und Schleifhülsen Increase the lifetime of sanding belts and sanding discs | Für sämtliche BERNARDO Absauganlagen For all BERNARDO dust collectors | Für sämtliche BERNARDO Absauganlagen For all BERNARDO dust collectors |
| Reinluftfilterpatrone FP 1 | Reinluftfilterpatrone FP 2 | Reinluftfilterpatrone FP 3 | Adapter |
| Cartridge filter FP 1 | Cartridge filter FP 2 | Cartridge filter FP 3 | Adapter |
|  |  |  |  |
| Durchmesser: 370 mm / Höhe: 490 mm Filterfläche: 2,25 m ² Diameter: 500 mm / Height: 490 mm Filter area: 2,25 m ² | Durchmesser: 500 mm / Höhe: 590 mm Filterfläche: 4 m ² Diameter: 500 mm / Height: 590 mm Filter area: 4 m ² | Durchmesser: 500 mm / Höhe: 1220 mm Filterfläche: 8 m ² Diameter: 500 mm / Height: 1220 mm Filter area: 8 m ² | Aussendurchmesser: 100 - 70 / 65 - 45 / 40 - 40 / 35 - 35 Outside diameter: 100 - 70 / 65 - 45 / 40 - 40 / 35 - 35 |
| Y-Abzweigung | PVC-Spiralabsaugschlauch | PU-Spiralabsaugschlauch | Erdungsset ES 1 |
| Y-Divergency | PVC-tube | PU-tube | Grounding set ES 1 |
|  |  |  |  |
| Ø 130 mm auf 2x 100 mm Ø 150 mm auf 3x 100 mm Ø 130 mm to 2x 100 mm Ø 150 mm to 3x 100 mm | Durchmesser 100 mm Länge 4 m bzw. 10 m Diameter 100 mm Länge 4 m or 10 m | Durchmesser / Diameter: 60 / 80 / 100 / 120 / 160 / 180 mm Länge / Length: 4 / 6 / 10 m | Schützt die Absauganlage vor Feuer- und Explosionsgefahr Protect the dust collector against the risk of fire and explosion |
| Einschaltautomatik ALV 2 / M 230 | Einschaltautomatik ALV 10 / 1 M | Vorschubrollen | Vorschubabklappeinrichtung FP/01 |
| Automatic start-up ALV 2 / M 230 | Automatic start-up ALV 10 / 1 M | Rolls for power feeders | Flipper FP-01 |
|  |  |  |  |
| Schaltvermögen AC-1: 230 V / 10A Schaltvermögen AC-3: 230 V / 4A Breaking capacity AC-1: 230 V / 10A Breaking capacity AC-3: 230 V / 4A | Für Maschinen bis 4,0 kW Motorleistung mit 230 V bzw. 400 V For machines up to 4,0 kW motor power with 230 V or 400 V | Verschiedene Vorschubrollen Ø 76 / 80 / 100 / 120 Different rolls for power feeders Ø 76 / 80 / 100 / 120 | Zeitsparend, keine Demontage des Vorschubapparates nötig Time saving, no disassembling of the power feed necessary |

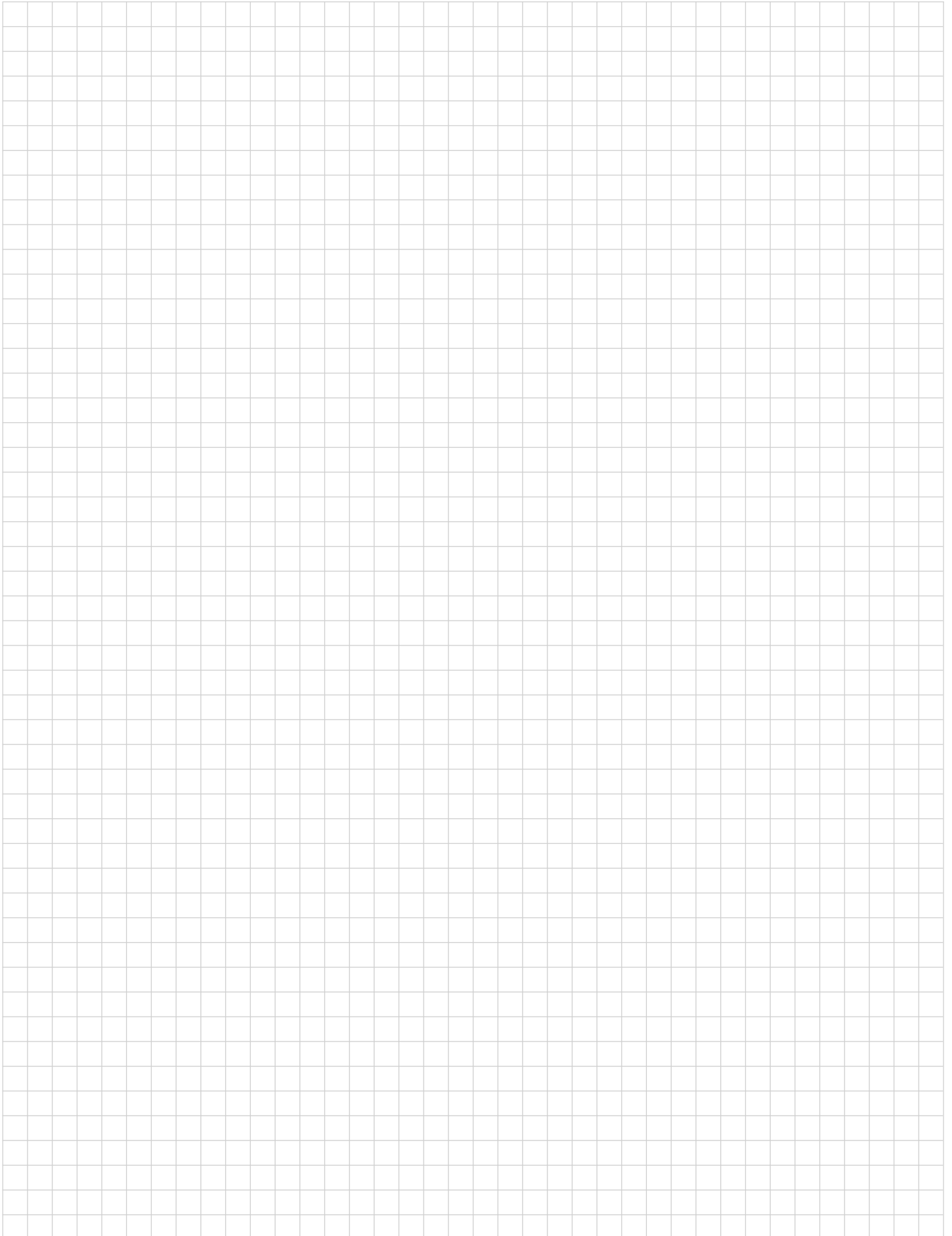
| | | | |
|---|---|--|--|
| Hohlstembbohrer | Langlochbohrer-set 6-tlg. | Tischler-Set 3-tlg. | Tischler-Set 5-tlg. |
| Mortising chisels | Mortising bit set 6 pcs. | Woodworking kit 3 pcs. | Woodworking kit 5 pcs. |
|  |  |  |  |
| Größen / Sizes: 6,35 / 8,0 / 9,5 / 12,7 / 15,87 19,0 / 25,4 mm | ∅ 6 / 8 / 10 / 12 / 14 / 16 mm Rechts- bzw. linksschneidend ∅ 6 / 8 / 10 / 12 / 14 / 16 mm Clock- and counterclockwise | Unerlässlich für Tischlerarbeiten Necessary for carpenter works | Unerlässlich für Tischlerarbeiten Necessary for carpenter works |
| Gleitmittel Waxilit | Vorritzsägeblatt | Sägeblattset im Alukoffer, 3-tlg. | Sägeblattset im Alukoffer, 3-tlg. |
| Lubricant Waxilit | Scoring sawblade | TCT sawblade set in aluminium case | TCT sawblade set in aluminium case |
|  |  |  |  |
| Unerlässlich in der Holzbearbeitung Essential in the area of woodworking | Durchmesser: 80 / 90 / 120 mm Diameter: 80 / 90 / 120 mm | Durchmesser / diam: 250 mm Zähne / teeth: 24 / 60 / 80 Bohrung / hole: 30 mm Reduzierring / reducing ring: 25,4 / 20 mm | Durchmesser / diam. 315 mm Zähne / teeth: 28 / 48 / 72 Bohrung / hole: 30 mm Reduzierring / reducing ring: 25,4 / 20 mm |

| | | | |
|---|--|--|---|
| Leichtmetall - Hobelkopf | Multiprofilfräser | Trapez-Verleimfräser | Spitzverleimfräser |
| Cutter head | Multi profile cutter head | Finger joint cutter head | V-glue joint cutter head |
|  |  |  |  |
| 125 x 130 x 40 mm / 125 x 170 x 40 mm 125 x 210 x 40 mm / 125 x 230 x 40 mm 125 x 240 x 40 mm | 120 x 40 x 30 mm 160 x 50 x 30 mm | 130 x 60 x 30 mm - Z2 | 120 x 50 x 30 mm - Z2 |
| Falzmesserkopf | Falzmesserk. m. ziehenden Schneiden | Schwenkmesserkopf | Abplattfräser |
| Rebating cutter head | Rebating cutter head w. shear angle | Adjustable bevel cutter head | Panel raising cutter head |
|  |  |  |  |
| 125 x 50 x 30 mm - Z4/V4 150 x 50 x 30 mm - Z4/V4 | 125 x 50 x 30 mm - Z4/V4 150 x 50 x 30 mm - Z4/V4 | 120 x 40 x 30 mm - Z2 / 2 x 45° | 160 x 17 x 30 mm 180 x 20 x 30 mm |
| Verstellnutter | Verstellnutter | Universal - Profilmesserkopf | Universal-Profilmesserkopfset |
| Adjustable groove cutter head | Adjustable groove cutter head | Universal cutter head | Universal cutter head set |
|  |  |  |  |
| Mit Zwischenringen 160 x 4 - 7,5 x 30 mm With spacer ring 160 x 4 - 7,5 x 30 mm | Mit Zwischenringen 160 x 12 - 24 x 30 mm With spacer ring 160 x 4 - 7,5 x 30 mm | 100 x 40 x 30 mm | 100 x 40 x 30 mm Inkl. 7 Messer Incl. 7 Messer |
| Anlaufringset 12-tlg. | | | |
| Butting ring set 12 pcs. | | | |
|  | | | |
| Lieferung in Holzkassette | | | |
| Delivered in wooden case | | | |

notes



notes



notes

A large grid of graph paper for taking notes, consisting of 20 columns and 30 rows of small squares.

Imprint:

All rights reserved – reproduction of images or texts or parts of these is strictly prohibited unless prior arrangements are made. Subject to technical and optical amendments. Product specifications subject to change without notice. Not responsible for printing errors or mistakes. Machines are partly displayed with optional extras. Prices subject to change. Prices in Euros, ex works (Linz, Austria), excl. any taxes. Edition 06/2025.

Your dealer

BERNARDO[®]
www.bernardo.at

PWA Handelsges.m.b.H.
4020 Linz | Nebingerstraße 7a | Austria
phone: +43.732.66 40 15 | fax: +43.732.66 40 15-9
e-mail: bernardo@pwa.at | www.bernardo.at