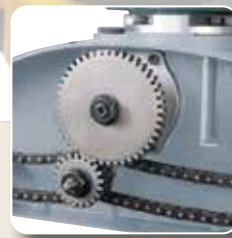


# **BERNARDO**®

www.bernardo.at

06 | 2025

## **POWER FEEDERS**



Baby M3  
AF 32  
AF 308  
MX 38  
MX 48

# Power feeders

Our selection of feeding devices, from one of the world's biggest producers, ranges from amateur models to high spec industrial models, making it easy to find the right device for your requirements.

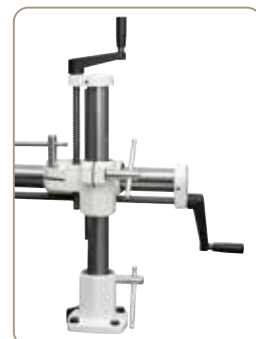
# Baby M3 / AF 32 / AF 308

- Optimal to use in conjunction with small sized wood processing machines
- Complete with right and left turning device
- Rearranging the gear wheels allows for easy speed change (AF 32 / AF 308)
- Allows for individual settings for various work requirements
- Metal gearbox features hardened gear wheels (AF 32 / AF 308)
- Tiltable in any direction
- Continuous feeding speed, even at heavy load
- Complete with stand and extended bracket (AF 32 / AF 308)

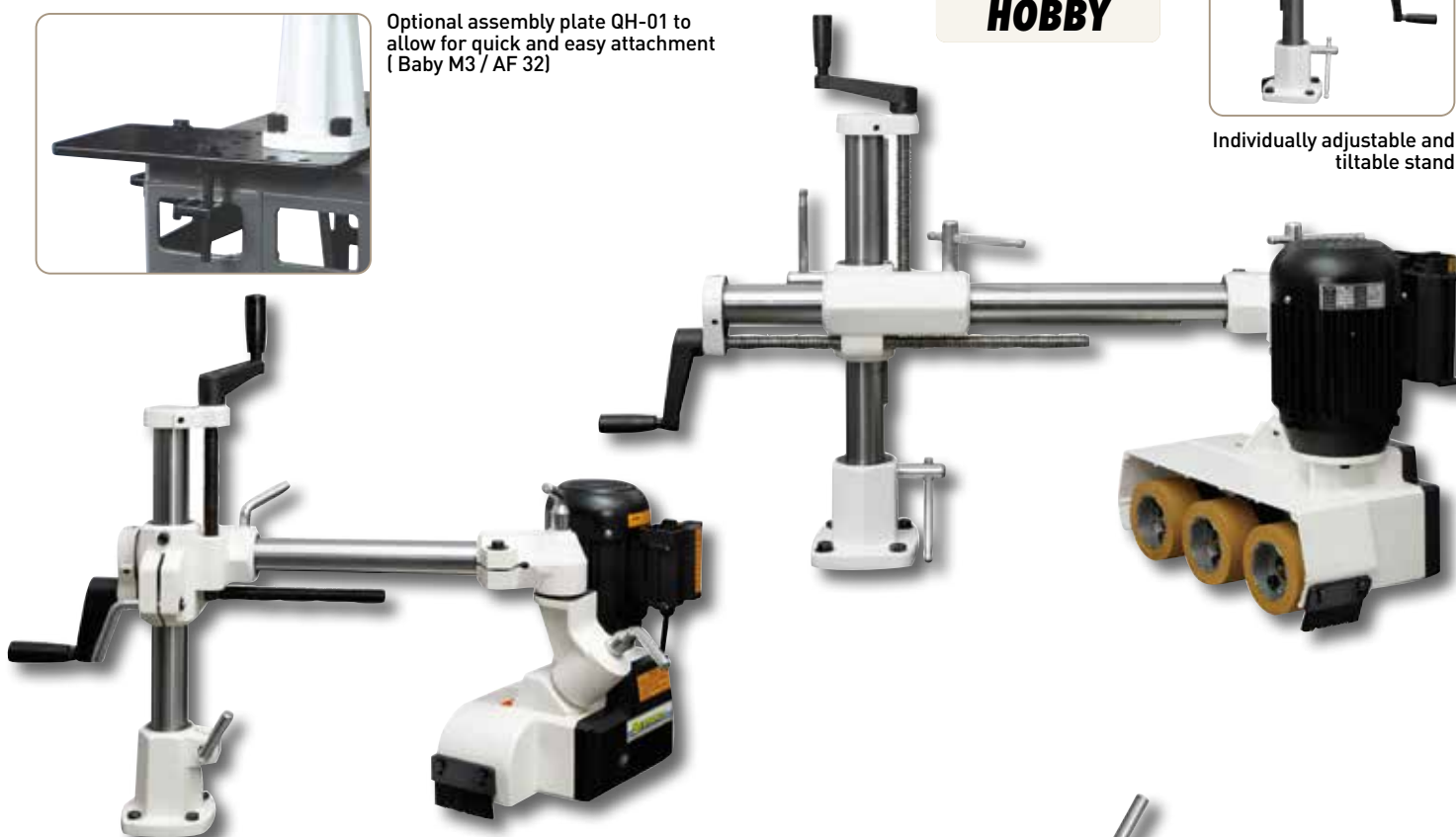


Optional assembly plate QH-01 to allow for quick and easy attachment (Baby M3 / AF 32)

**BERNARDO®**  
www.bernardo.at  
**HOBBY**



Individually adjustable and tiltable stand



#### Optional accessories:

	Art. no.	excl. VAT
Roller RO-07 for BABY M3	13-1205	
Roller RO-08 for AF 32	13-1215	
Roller RO-10 for AF 308	13-1220	
Quick holder QH-01 for BABY M3 / AF 32	13-1290	
Flipper FP/01 (for self installation)	13-1300	



Technical data	Baby M3	AF 32	AF 308
Feeding speeds	2-12 m/min, stepless	6 / 8 / 9 / 13 m/min	2,9 / 4,5 / 5,8 / 7,5 / 9 / 11,5 / 15 / 23 m/min
Rollers	3 pcs.	3 pcs.	3 pcs.
Roller diameter	76 mm	80 mm	100 mm
Roller width	30 mm	30 mm	50 mm
Roller suspension	8,3 mm	18 mm	24 mm
Motor power	0,09 KW (0,12 HP)	0,18 kW (0,25 HP)	0,37 kW (0,5 HP)
Voltage	230 V	230 or 400 V	230 V
Weight approx.	10,5 kg	33 kg	50 kg
Art. no.	13-1005	13-1014 (230 V) 13-1015 (400 V)	13-1020

# Power feeders

The MX series of feeding devices feature best quality, robust construction, high userfriendliness and reliability.

# MX 38 MX 48

Power feeders

- Powerful motor designed for continuous operation
- Metal gear box with hardened gear wheels for consistent feeding speed
- Handwheel ensures user-friendly height adjustment
- Utilize in horizontal or vertical position
- Allows for individual settings for various work requirements
- Complete with forward and reverse
- Big suspension travel of each driven feed roller
- Robust, universal, grey cast-iron stand with polished guide rods



Ideal for spindle moulders for convenient feed disengagement. (optional extra)



Rearrangement of gear wheels allows for easy speed change.

Technical data	MX 38	MX 48
Feeding speeds	3,5 / 5 / 7 / 10 / 12,5 / 16 / 25 / 32 m/min	3,5 / 5 / 7 / 10 / 12,5 / 16 / 25 / 32 m/min
Rollers	3 pcs.	4 pcs.
Roller diameter	120 mm	120 mm
Roller width	60 mm	60 mm
Roller suspension	20 mm	20 mm
Motor power	0,75 kW (1,0 HP)	0,75 kW (1,0 HP)
Voltage	400 V	400 V
Weight approx.	57 kg	61 kg
Art. no.	13-1030	13-1035

#### Optional accessories:

Roller RO-12  
Flipper FP/01  
(for self installation)

Art. no.      excl. VAT  
13-1230  
13-1300

Your dealer

**BERNARDO**<sup>®</sup>  
www.bernardo.at

**PWA Handelsges.m.b.H.**  
4020 Linz | Nebingerstraße 7a | Austria  
phone: +43.732.66 40 15 | fax: +43.732.66 40 15-9  
e-mail: bernardo@pwa.at | www.bernardo.at

**Imprint:**  
All rights reserved – reproduction of images or texts or parts of these is strictly prohibited unless prior arrangements are made. Subject to technical and optical amendments. Product specifications subject to change without notice. Not responsible for printing errors or mistakes. Machines are partly displayed with optional extras. Prices subject to change. Prices in Euros, ex works (Linz, Austria), excl. any taxes. Edition 06/2025.